

Technical data sheet

UP Flush-mounted device connection box 66, with nail straps

Item no. 2003716



Flush-mounted device box with nail straps, for use in masonry with an installation depth of at least 66 mm.

- 4 x 3 screw domes
- Connector with bayonet lock, couplable on both sides
- 6 combination pipe entries of Ø 20 and 25 mm
- 4 entries up to Ø 20 mm
- 2 entries up to Ø 14 mm
- 1 entry up to Ø 20 mm in the base

Tested according to DIN EN 60670-1, DIN EN 60670-22 and DIN 49073-1.

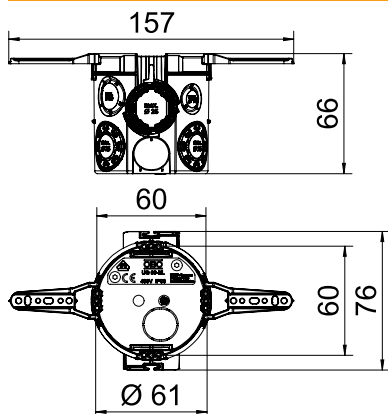


PP Polypropylene

Master data

| | |
|--------------------------|-----------------------------|
| Item no. | 2003716 |
| Type | UG 66-NL |
| Description 1 | UP Flush-mounted device box |
| Description 2 | with nail straps |
| Available from | 01.10.2021 |
| Dimension | Ø60mm, H66mm |
| Colour | Jet black |
| Material | Polypropylene |
| Material symbol | PP |
| Smallest sales unit (VG) | 25 Piece |
| Weight | 2,65 kg/100 pc. |

Technical data



| | |
|----------------------------------|---|
| Height | 66,00 mm |
| Diameter | 60,00 mm |
| No. of entries | 13 |
| Entries | 11 |
| Type of entry | NYM cables, data cables and corrugated pipes |
| Type of housing penetration | Break-out opening |
| Version for | Single |
| Shape | Device connection box |
| Device fixing | Screws or spreading claws |
| Cover | Without |
| Cover fastening | Screws , |
| Entry from rear | <input checked="" type="checkbox"/> |
| Flame-resistant | acc. to VDE 0471/IEC 60695-2-11, test temperature 650°C |
| Shape | Round |
| For pipe diameter | 20/25 mm |
| Pipe entries Ø 14 mm | 2 |
| Pipe entries Ø 20 mm | 3 |
| Combination entries Ø 20 / 25 mm | 6 |
| Halogen-free | <input checked="" type="checkbox"/> |
| With nail strap | <input checked="" type="checkbox"/> |
| With bolts | <input type="checkbox"/> |
| Nominal cross section | 1,50 - 2,50 mm ² |
| Rated voltage | 400,00 V |
| Impact-resistant | <input checked="" type="checkbox"/> |
| Protection rating | IP30 |

Technical data sheet

UP Flush-mounted device connection box 66, with nail straps





Item no. 2003716



Technical data

Airtight

Table 1

| |  | |  | |
|---|---|---------------------|---|---------------------|
| | 1,5 mm ² | 2,5 mm ² | 1,5 mm ² | 2,5 mm ² |
|  | 5 | 4 | 7 | 5 |
|  | 15 | 12 | 21 | 15 |