

Technical data sheet

Sealing plug

Item no. 2003738



Sealing plug to close empty pipes.

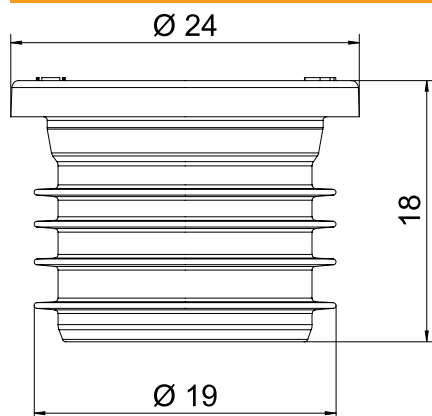


TPE Thermoplastic elastomer

Master data

Item no.	2003738
Type	ZA 25-VS
Description 1	Sealing plug
Description 2	for M25, airtight
Available from	01.10.2021
Dimension	Ø25
Colour	Grey
Material	Thermoplastic elastomer
Material symbol	TPE
Smallest sales unit (VG)	25 Piece
Weight	0,25 kg/100 pc.

Technical data



Dimension D1	24,00 mm
Dimension D2	19,00 mm
Dimension L	18,00 mm
For thread dimension, metric	25
Airtight	<input checked="" type="checkbox"/>
Flame-resistant	acc. to VDE 0471/IEC 60695-2-11, test temperature 850°C