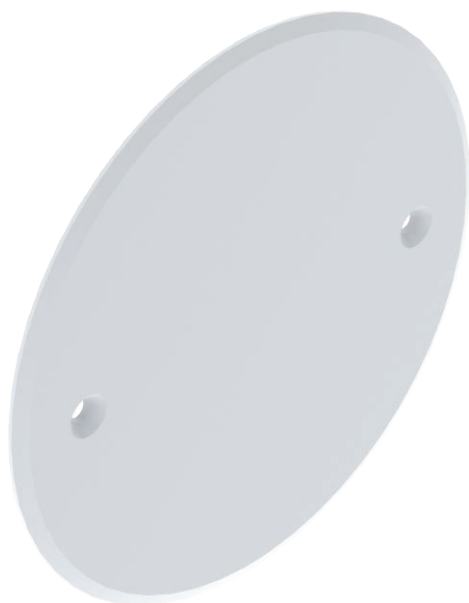


Technical data sheet

Universal cover

Item no. 2003748



Universal cover for flush-mounted and cavity wall box. With drill holes, hole spacing 60 mm for all device boxes, retractable screws. Roughened surface.



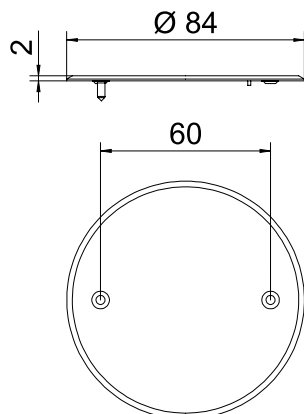
PC/
ABS

Polycarbonate/acrylonitrile butadiene styrene

Master data

Item no.	2003748
Type	ZA 60-D
Description 1	Universal cover
Available from	01.10.2021
Dimension	Ø84mm
Colour	White
Material	Polycarbonate/acrylonitrile-butadiene-styrene
Material symbol	PC/ABS
Smallest sales unit (VG)	25 Piece
Weight	0,85 kg/100 pc.

Technical data



Height	1,80 mm
Ø	84 Max.
Fastening type	Screws ,
Flame-resistant	acc. to VDE 0471/IEC 60695-2-11, test temperature 850°C
Shape	Round
Halogen-free	<input checked="" type="checkbox"/>
With bolts	<input type="checkbox"/>
Impact-resistant	<input checked="" type="checkbox"/>