

Technical data sheet

Sprung cover, 60 mm

Item no. 2003749



Sprung cover with centrally moulded, elastic spreading spring, for cavity wall boxes with \varnothing 60 mm, cover edge is flush, surface is roughened.

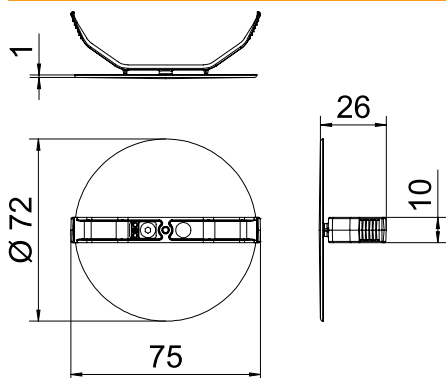


PS Polystyrene

Master data

Item no.	2003749
Type	ZA 60-FD
Description 1	Sprung lid
Available from	01.10.2021
Dimension	\varnothing 72
Colour	White
Material	Polystyrene
Material symbol	PS
Smallest sales unit (VG)	25 Piece
Weight	0,56 kg/100 pc.

Technical data



Height	1,00 mm
\varnothing	72 Max.
Fastening type	Sprung cover
Flame-resistant	acc. to VDE 0471/IEC 60695-2-11, test temperature 650°C
Shape	Round
Halogen-free	<input checked="" type="checkbox"/>
Impact-resistant	<input checked="" type="checkbox"/>