

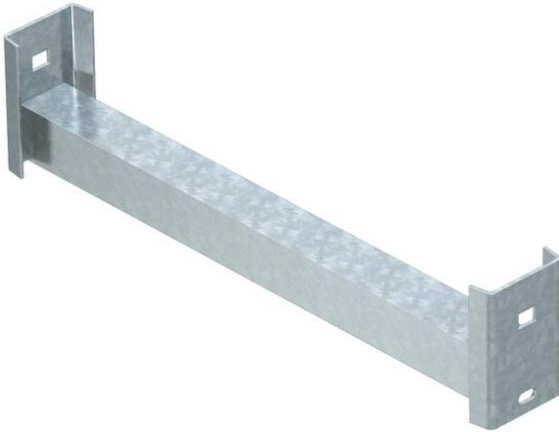
# Technical data sheet

## Rung WSK 40

Item number: 6008046



Angle profile rungs for use in heavy-duty vertical ladders and in IS 8 supports.  
The maximum rung load is 250 kg.



**St** Steel

**FT** Hot-dip galvanised

### Master data

|                     |                    |
|---------------------|--------------------|
| Item number         | 6008046            |
| Type                | WSK 40 40 FT       |
| Description 1       | Angle rung         |
| Description 2       | for IS 8 support   |
| Manufacturer        | OBO                |
| Dimension           | B354mm             |
| Material            | Steel              |
| Surface             | Hot-dip galvanised |
| Surface standard    | DIN EN ISO 1461    |
| Smallest sales unit | 1                  |
| Unit of quantity    | Piece              |
| Weight              | 122 kg             |
| Weight unit         | kg/100 pc.         |

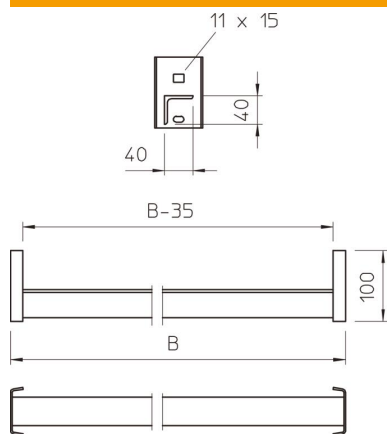
# Technical data sheet

Rung WSK 40

Item number: 6008046



## Dimensions



|                   |            |
|-------------------|------------|
| lampDimension WxH | 40 x 40 mm |
| Length            | 354 mm     |
| Width             | 354 mm     |
| Height            | 100 mm     |

## Technical data

|                    |      |
|--------------------|------|
| Material thickness | 4 mm |
|--------------------|------|