

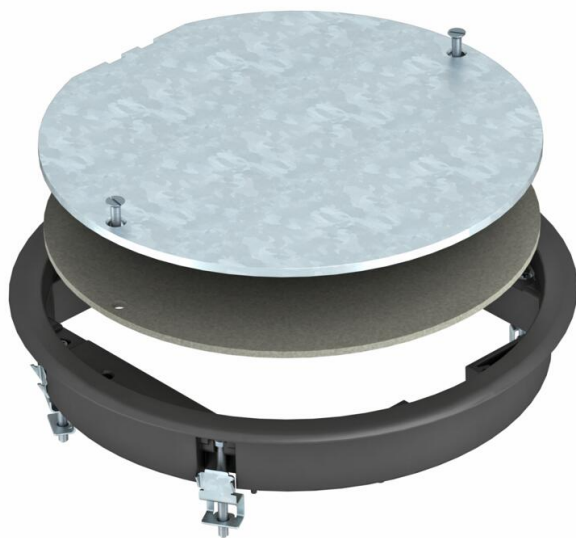
Technical data sheet

ZESR4 inspection cover

Item number: 7406776



Draw box insert for blanking locking of a square round mounting opening of nominal size R4 in trunking systems and system floors for indoor use.



PA Polyamide

Master data

Item number	7406776
Type	ZESR4 U 9011
Description 1	Junction box insert
Description 2	for universal mounting
Manufacturer	OBO
Dimension	Ø234x33
Colour	Graphite black; RAL 9011
Material	Polyamide
Smallest sales unit	1
Unit of quantity	Piece
Weight	140 kg
Weight unit	kg/100 pc.
CO2 Footprint (GWP) Cradle-to-Gate	5,008 kg CO2e / 1 Piece

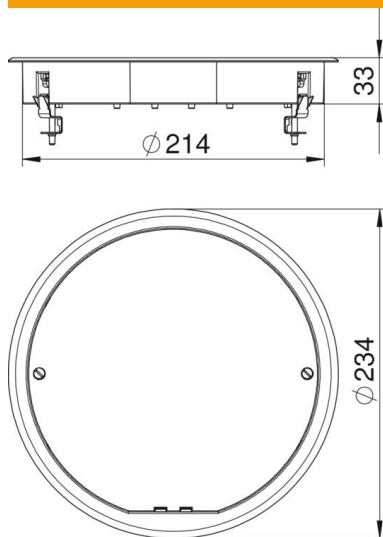
Technical data sheet

ZESR4 inspection cover

Item number: 7406776



Dimensions



Length	234 mm
Width	234 mm
Height	36 mm

Technical data

Number of installable devices	0
Version for	Round
Floor care	Dry
Floor height, min.	60 mm
Suitable for raised floor installation	yes
Suitable for screed-covered underfloor ducts	yes
Suitable for cavity floor installation	yes
Suitable for wet care	no
Suitable for underfloor box	250/350
Suitable for underfloor ducts	yes
Nominal size for device installation units	R4
Frame version	Carpet protection frame
Clamping range D, max.	32 mm
Clamping range D, min.	12 mm
Vertical load, large area	to 5,000 N
Vertical load, small area	to 3,000 N
Floor covering thickness	5 mm