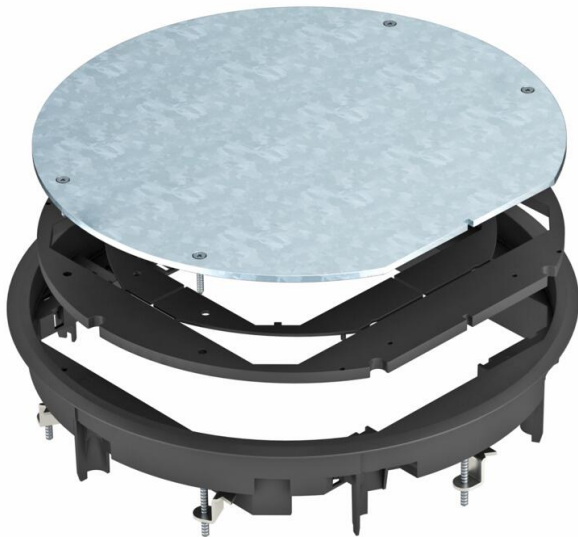


Technical data sheet

ZESR9 inspection cover

Item number: 7406806



Junction box insert for blank closing of a round mounting opening of nominal size R9 in trunking systems and in raised and cavity floors for indoor use. With universal fixing bracket.

Polyamide carpet protection frame.

Floor covering recess 12 mm.



PA Polyamide

Master data

Item number	7406806
Type	ZESR9-2 U12T9011
Description 1	Junction box insert
Description 2	for universal mounting
Manufacturer	OBO
Dimension	Ø324X65,5
Colour	Graphite black; RAL 9011
Material	Polyamide
Smallest sales unit	1
Unit of quantity	Piece
Weight	298 kg
Weight unit	kg/100 pc.
CO2 Footprint (GWP) Cradle-to-Gate	8,5823 kg CO2e / 1 Piece

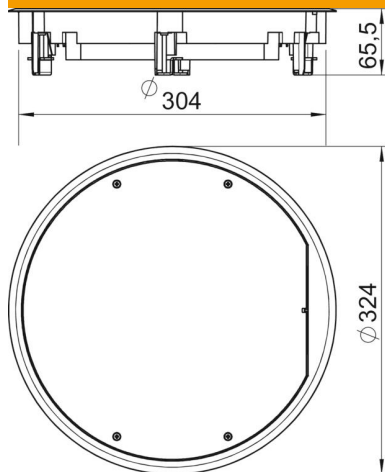
Technical data sheet

ZESR9 inspection cover

Item number: 7406806



Dimensions



Length	324 mm
Width	324 mm
Height	65.5 mm

Technical data

Number of installable devices	0
Version for	Round
Floor care	Dry
Floor height, min.	63 mm
Suitable for raised floor installation	yes
Suitable for screed-covered underfloor ducts	yes
Suitable for cavity floor installation	yes
Suitable for wet care	no
Suitable for underfloor box	350
Suitable for underfloor ducts	yes
Nominal size for device installation units	R9
Frame version	Carpet protection frame
Clamping range D, max.	75 mm
Clamping range D, min.	8 mm
Vertical load, large area	to 5,000 N
Vertical load, small area	to 3,000 N
Floor covering thickness	5 mm
Floor covering thickness max.	12 mm